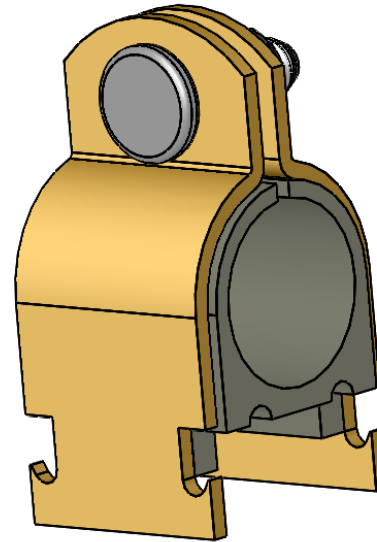
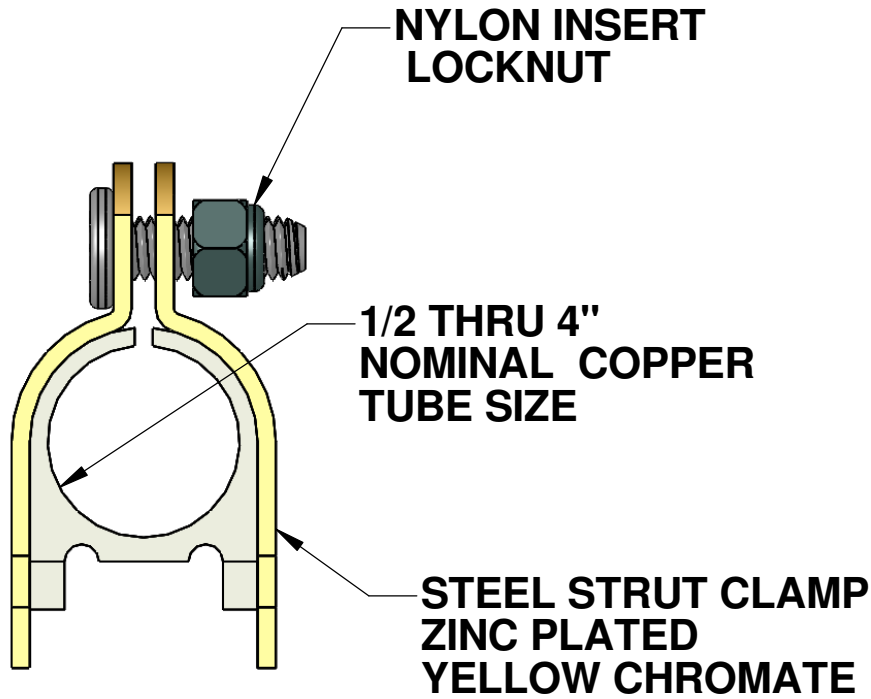


THE INFORMATION CONTAINED IN THIS DRAWING IS THE SOLE PROPERTY OF GREENFIELD MFG CO ANY REPRODUCTION IN PART OR WHOLE WITHOUT THE WRITTEN PERMISSION OF GREENFIELD MFG CO IS PROHIBITED.



MATERIAL	THERMOPLASTIC ELASTOMER
TENSIL STRENGTH	110 LBS./SQ. FT
SERVICE TEMP RANGE	-20 DEG F -> 350 DEG F
HEAT STABLIZATION	1 HOUR 45 MIN @ 356 DEG F
ELONGATION	250%

**MSS - SP 58
Type 60 and 61**

UNLESS OTHERWISE SPECIFIED
DIMENSIONS ARE IN INCHES
TOLERANCES ARE:
FRACTIONS DECIMALS ANGLES
+/- 1/8 .XX +/- .03 .XX + 1
 .XXX +/- .01

MATERIAL
SEE TABLE

DO NOT SCALE DRAWING

CAD GENERATED DRAWING,
DO NOT MANUALLY UPDATE

APPROVALS	DATE
DRAWN EG	2/23
CHECKED SB	2/23

GREENFIELD MFG CO

920 LEVICK ST , PHILA.,PA. 19111

CUSHION CLAMP, CT

A P/N **FIG 417** REV.

SCALE CAD FILE: SHEET OF