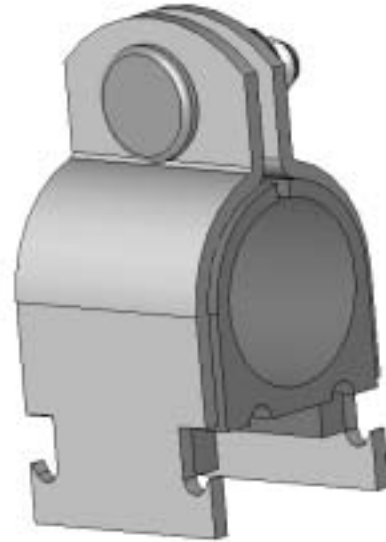
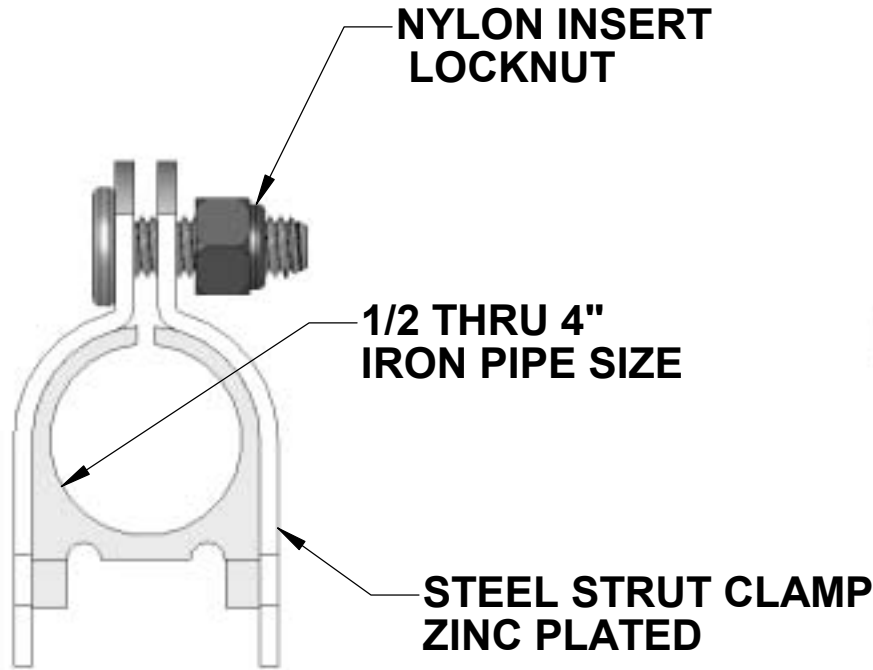


8 7 6 5 4 3 2 1

THE INFORMATION CONTAINED IN THIS DRAWING IS THE SOLE PROPERTY OF GREENFIELD MFG CO ANY REPRODUCTION IN PART OR WHOLE WITHOUT THE WRITTEN PERMISSION OF GREENFIELD MFG CO IS PROHIBITED.



MATERIAL	THERMOPLASTIC ELASTOMER
TENSIL STRENGTH	110 LBS./SQ. FT
SERVICE TEMP RANGE	-20 DEG F -> 350 DEG F
HEAT STABLIZATION	1 HOUR 45 MIN @ 356 DEG F
ELONGATION	250%

UNLESS OTHERWISE SPECIFIED DIMENSIONS ARE IN INCHES

TOLERANCES ARE:

FRACTIONS	DECIMALS	ANGLES
+/- 1/8	.XX +/- .03	.XX + 1
	.XXX +/- .01	

MATERIAL

SEE TABLE

DO NOT SCALE DRAWING

CAD GENERATED DRAWING, DO NOT MANUALLY UPDATE

APPROVALS	DATE
DRAWN EG	8/13
CHECKED SB	8/13

GREENFIELD MFG CO

9800 Bustleton Ave, Phila, PA 19115

CUSHION CLAMP, IPS

A	P/N	FIG 317	REV.
SCALE	CAD FILE:	SHEET	OF

D

C

B

A

D

C

B

A

8 7 6 5 4 3 2 1