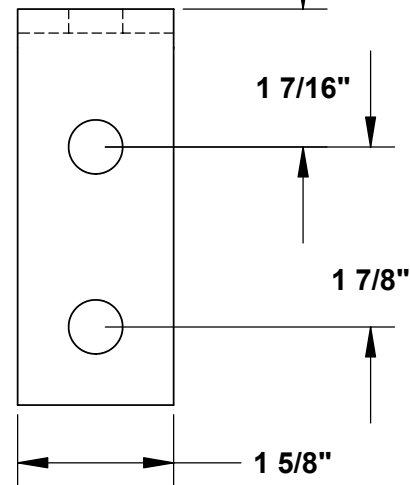
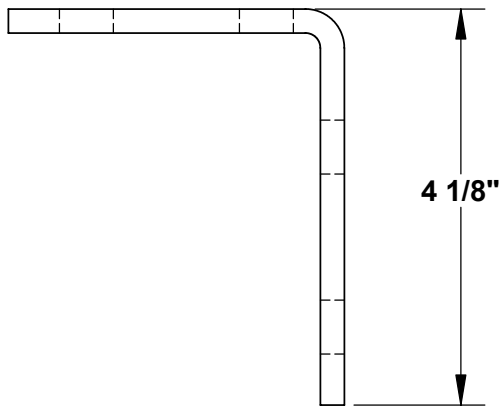
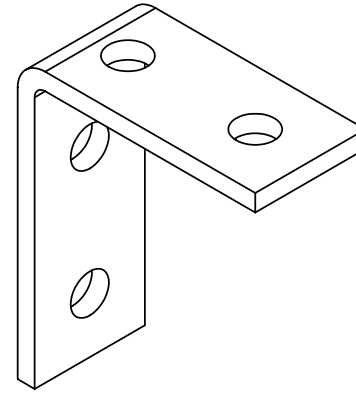
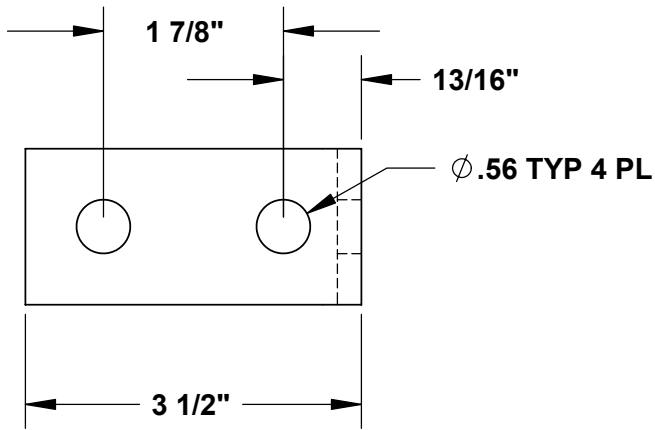


THE INFORMATION CONTAINED IN THIS DRAWING IS THE SOLE PROPERTY OF GREENFIELD MFG CO ANY REPRODUCTION IN PART OR WHOLE WITHOUT THE WRITTEN PERMISSION OF GREENFIELD MFG CO IS PROHIBITED.



UNLESS OTHERWISE SPECIFIED
DIMENSIONS ARE IN INCHES

TOLERANCES ARE:

FRACTIONS	DECIMALS	ANGLES
+/- 1/8	.XX +/- .03	.XX + 1
	.XXX +/- .01	

MATERIAL

**1/4 X 1-5/8 ZN PLATED
STEEL**

DO NOT SCALE DRAWING

CAD GENERATED DRAWING,
DO NOT MANUALLY UPDATE

APPROVALS	DATE
DRAWN EG	
CHECKED SB	

GREENFIELD MFG CO

9800 Bustleton Ave, Phila, PA 19115

ANGLE BRACKET

A	P/N 316-4	REV.
---	------------------	------

SCALE	CAD FILE:	SHEET OF
-------	-----------	----------