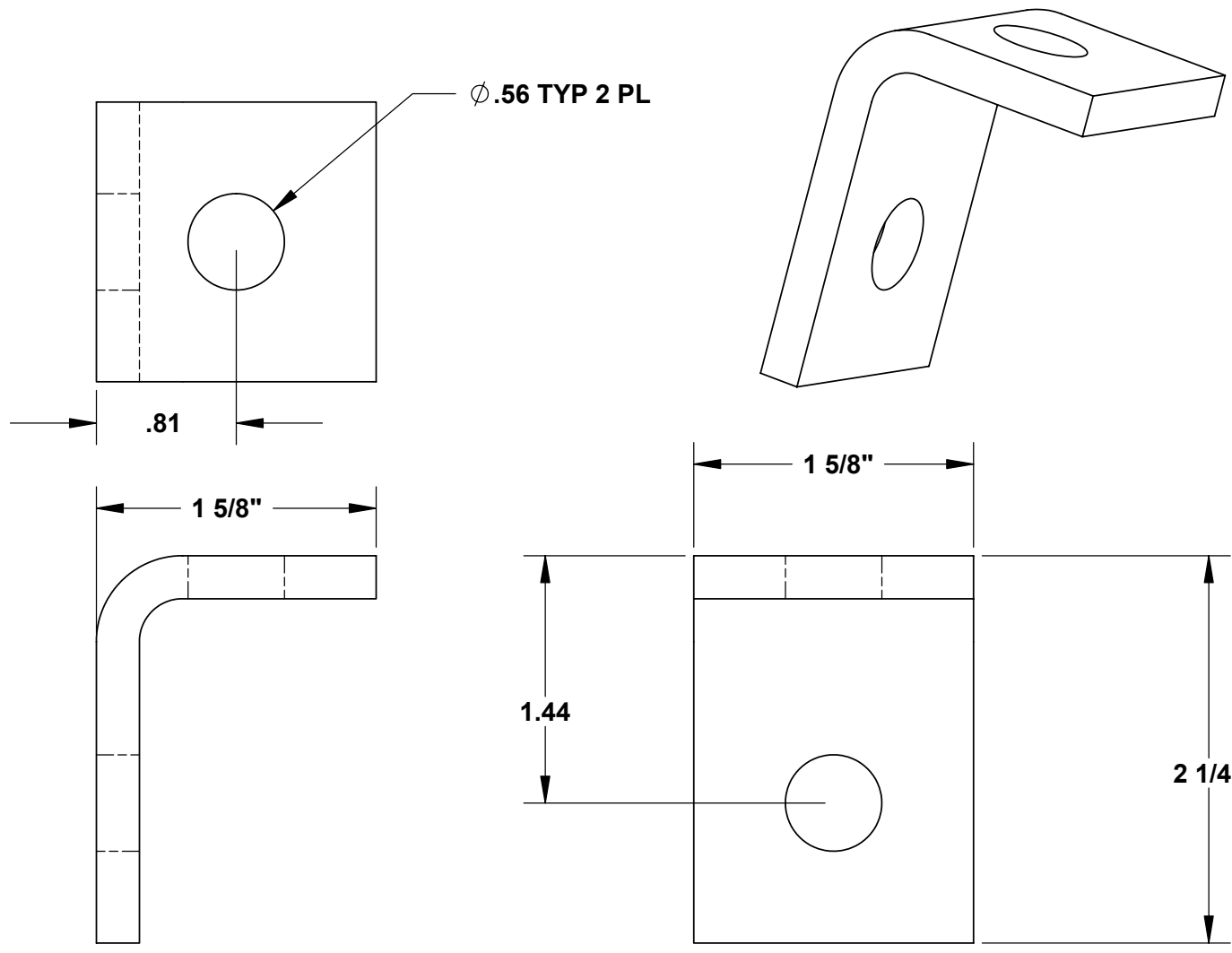


THE INFORMATION CONTAINED IN THIS DRAWING IS THE SOLE PROPERTY OF GREENFIELD MFG CO ANY REPRODUCTION IN PART OR WHOLE WITHOUT THE WRITTEN PERMISSION OF GREENFIELD MFG CO IS PROHIBITED.



UNLESS OTHERWISE SPECIFIED DIMENSIONS ARE IN INCHES TOLERANCES ARE: FRACTIONS DECIMALS ANGLES +/- 1/8 .XX +/- .03 .XX + 1 .XXX +/- .01	CAD GENERATED DRAWING, DO NOT MANUALLY UPDATE		GREENFIELD MFG CO	
	APPROVALS	DATE	9800 Bustleton Ave, Phila, PA 19115	
MATERIAL 1/4 X 1-5/8 ZN PLTD STEEL	DRAWN	EG	STRUT ANGLE	
	CHECKED	SB		
DO NOT SCALE DRAWING	A	P/N	316-2	REV.
	SCALE	CAD FILE:	SHEET OF	