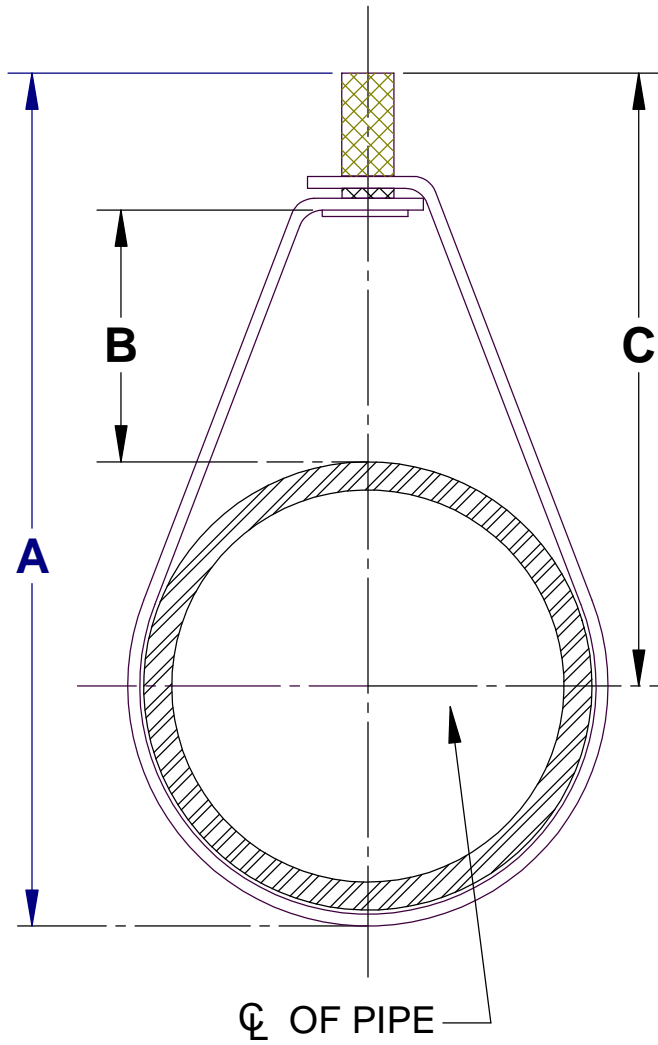


THE INFORMATION CONTAINED IN THIS DRAWING IS THE SOLE PROPERTY OF GREENFIELD MFG CO ANY REPRODUCTION IN PART OR WHOLE WITHOUT THE WRITTEN PERMISSION OF GREENFIELD MFG CO IS PROHIBITED.



**Made in USA**

PIPE SIZE	ROD SIZE	MATERIAL SIZE	DRAWING REF			WT. PER 100	MAX REC. LOAD
			A	B	C		
1/2"	3/8"	19ga x 1.0	3"	1 - 1/8"	1 - 1/2"	8	400
3/4"	3/8"	19ga x 1.0	3 - 1/8"	1 - 1/8"	1 - 3/4"	9	400
1"	3/8"	19ga x 1.0	3 - 3/8"	1 - 1/8"	1 - 7/8"	10	400
1 - 1/4"	3/8"	19ga x 1.0	3 - 3/4"	1 - 1/8"	2 - 1/8"	11	400
1 - 1/2"	3/8"	18ga x 1.0	4"	1 - 1/8"	2 - 1/4"	13	400
2"	3/8"	18ga x 1.0	4 - 5/8"	1 - 1/8"	2 - 1/2"	14	400
2 - 1/2"	3/8"	16ga x 3/4	5 - 1/2"	1 - 3/8"	3 - 1/8"	30	600
3"	3/8"	16ga x 1.0	6 - 3/8"	1 - 5/8"	3 - 5/8"	32	600
3 - 1/2"	3/8"	14ga x 3/4	7"	1 - 3/4"	4"	36	600
4"	3/8"	16ga x 1.0	7 - 1/2"	1 - 5/8"	4 - 1/8"	44	1000
5"	1/2"	14ga x 3/4	8 - 3/4"	1 - 7/8"	5"	56	1000
6"	1/2"	13ga x 3/4	10 - 3/8"	2 - 1/8"	6"	116	1250
8"	1/2"	12ga x 3/4	12 - 5/8"	2 - 3/8"	7 - 1/8"	150	1250

UNLESS OTHERWISE SPECIFIED  
DIMENSIONS ARE IN INCHES  
TOLERANCES ARE:  
FRACTIONS DECIMALS ANGLES  
+ .XX+ .XX + 1  
.XXX+.XXX

MATERIAL **STEEL**  
FINISH **GALVANIZED**  
DO NOT SCALE DRAWING

CAD GENERATED DRAWING,  
DO NOT MANUALLY UPDATE

APPROVALS	DATE
DRAWN EG	
CHECKED SB	

11/20

**GREENFIELD MFG CO**

9800 Bustleton Ave  
Philadelphia, Pa 19115

P/N **FIG 300**

A **ADJ. SWIVEL IPS** REV.

SCALE **CAD 300.SLDDRW** SHEET OF