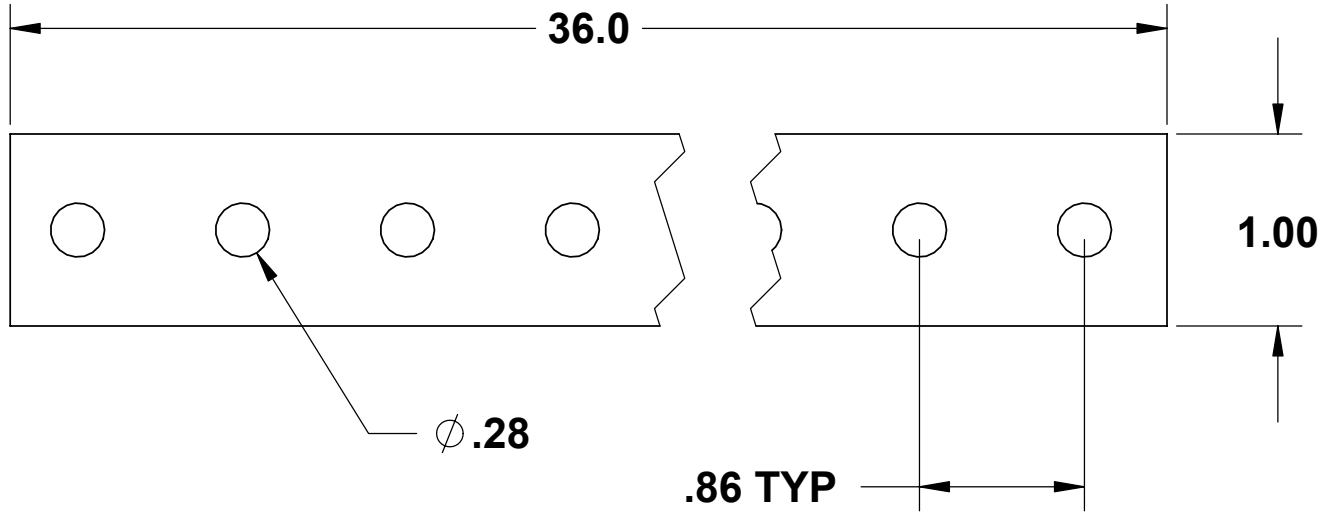


THE INFORMATION CONTAINED IN THIS DRAWING IS THE SOLE PROPERTY OF GREENFIELD MFG CO ANY REPRODUCTION IN PART OR WHOLE WITHOUT THE WRITTEN PERMISSION OF GREENFIELD MFG CO IS PROHIBITED.



Made in USA

UNLESS OTHERWISE SPECIFIED DIMENSIONS ARE IN INCHES		CAD GENERATED DRAWING, DO NOT MANUALLY UPDATE		GREENFIELD MFG CO	
TOLERANCES ARE:		APPROVALS	DATE	9800 Bustleton Ave, Phila, PA 19115	
FRACTIONS	DECIMALS	EG	4/05	P/N DWV EXTENSION BAR	
+/- 1/8	.XX +/- .03	SB		A	FIG 221
	.XXX +/- .01				REV.
MATERIAL				SCALE	CAD FILE
STEEL 16 GAGE GALVANIZED					FIG 221.SLDDRW
DO NOT SCALE DRAWING				SHEET OF	