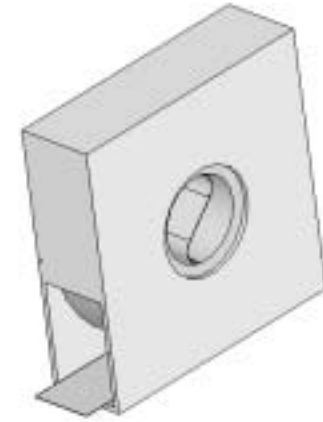
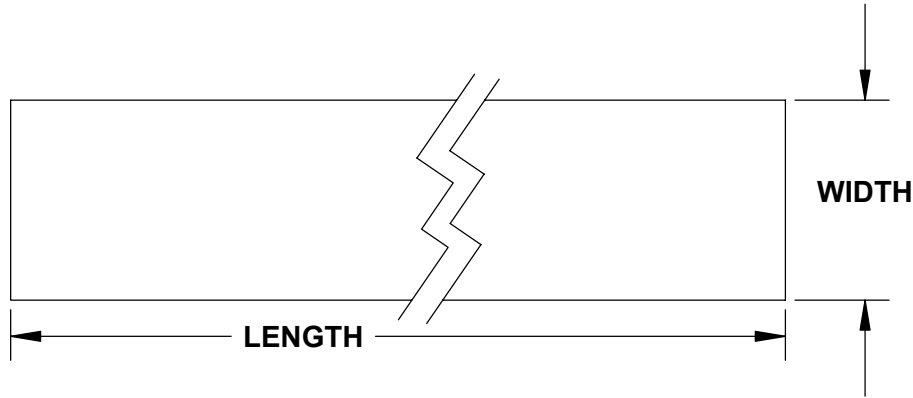


THE INFORMATION CONTAINED IN THIS DRAWING IS THE SOLE PROPERTY OF GREENFIELD MFG CO ANY REPRODUCTION IN PART OR WHOLE WITHOUT THE WRITTEN PERMISSION OF GREENFIELD MFG CO IS PROHIBITED.



THICKNESS	WIDTH	MAX STATIC WORKING LOAD POUNDS	LENGTH
30 GAGE .012 / .016	1.00	75	100 FT ROLL
	1.50	110	
	2.00	150	
26 GAGE .017 / .022	1.00	100	
	1.50	150	
	2.00	200	

EXAMPLE P/N FIG.106 – 26 -1.5
26 GA X 1.50 WIDTH

ROLLS PACKAGED IN INDIVIDUAL
CARDBOARD DISPENSORS

MADE IN USA

UNLESS OTHERWISE SPECIFIED DIMENSIONS ARE IN INCHES TOLERANCES ARE: FRACTIONS DECIMALS ANGLES .XX+/- .30		CAD GENERATED DRAWING, DO NOT MANUALLY UPDATE		GREENFIELD MFG CO	
MATERIAL STEEL		APPROVALS	DATE	9800 BUSTLETON AVE, PHILA, PA 19115	
FINISH GALV		DRAWN EG	1/17	NO HOLE DUCT STRAP	
DO NOT SCALE DRAWING		CHECKED SB		P/N FIG. 106	REV.
				SCALE FIG106C.SLDDRW	SHEET OF