



STUD FIXER

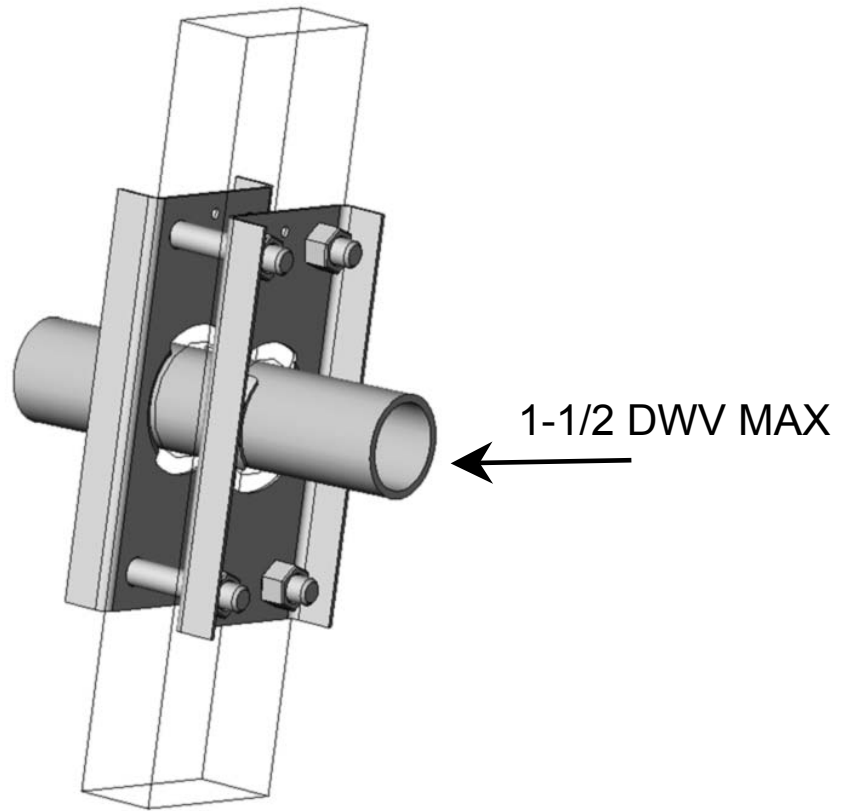


Figure No.	Stud Size	Fasteners	Compression rating with 2.125" hole drilled in stud	
			Allowable load*	AVG ULT [^]
534-1	single	4ea 1/2" x 2.5" bolts	4,500 lbs	15,500 lbs
534-2	double	4ea 1/2" x 4.0" bolts	8,900 lbs	30,800 lbs
534-3	triple	4ea 1/2" x 5.5" bolts	8,900 lbs**	**

Products tested by Architectural Testing. Results available at www.gfm.biz

* Requirements per AC-13: Section 3.2, *Test and Performance Requirements*

** Not tested -- Allowable load same as 534-2

^AVG ULT: A 2.0625 inch diameter hole was drilled in Douglas fir construction lumber 2 x 4 and a studfixer was installed according to instructions. Architectural Testing Labs, an independent lab, tested the studfixer assembly to determine the peak load at failure. The AVG ULT is the average peak load of 3 samples. Full test results are available at www.gfm.biz/studfixer. AVG ULT should not be used for design standards.