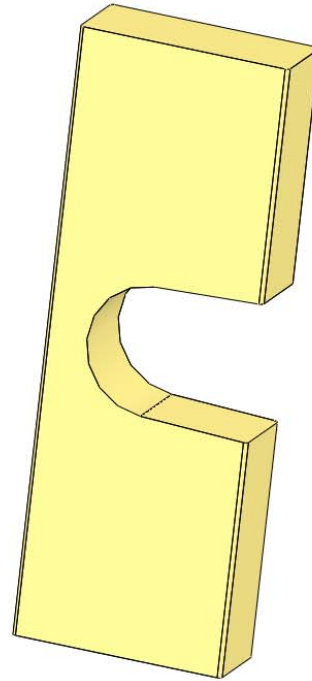
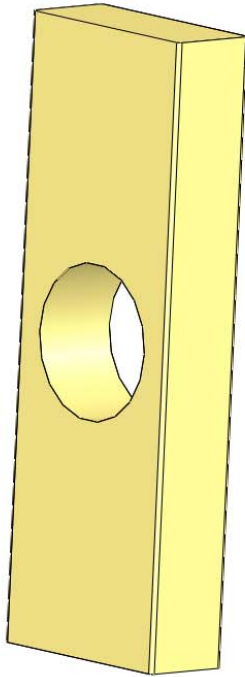




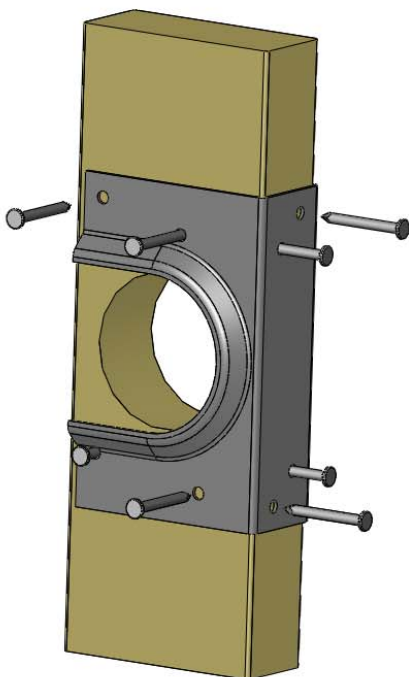
INSTALLATION INSTRUCTIONS FOR FIG 533 STUD SHOES

920 LEVICK ST
PHILA., PA 19111
WWW.GFM.BIZ



**DRILLED HOLE IN CENTER OF STUD
(PREFERRED METHOD OF USE)
FOR 1-1/2 PIPE DRILL 2-1/8 HOLE
FOR 2 PIPE DRILL 2-1/2 HOLE**

**NOTCHED HOLE
DRILL AS WITH HOLE
BUT SAW TO NOTCH OUT**



NAIL SCHEDULE (FILL ALL HOLES)

533-1 SINGLE	12 - 10d X 1-1/2
533-2 DOUBLE	12 - 10d
533-3 TRIPLE	12 - 10d