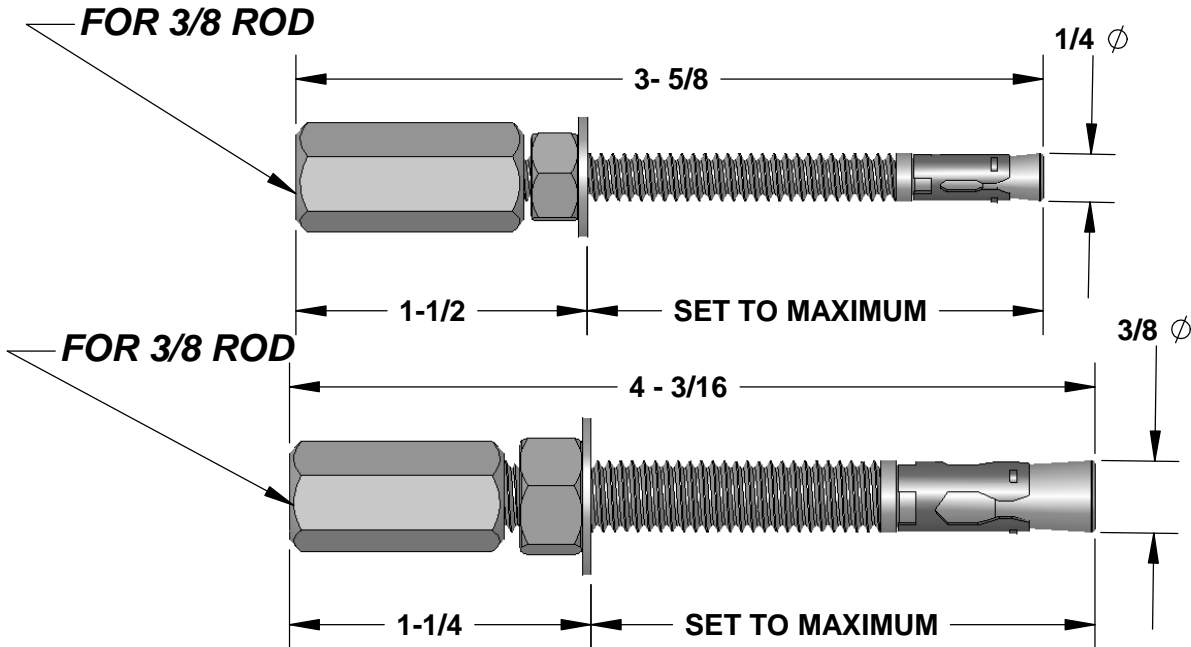


ELLIOTT'S HANGER ANCHOR

FOR CONCRETE CEILINGS

FIG. 360

PATENT PENDING



MAX SAFE LOAD (TENSION)		
FIG #	ANCHOR DIA	LOAD
359-14	1/4 INCH	210 LBS
359-38	3/8 INCH	500 LBS

BASED ON 2800/3500 PSI (200/250 KG/SCM) CONCRETE

INSTALLATION:

1. DRILL HOLE - 1/4 X 2-1/2 MIN DEPTH
- 3/8 X 2-3/4 MIN DEPTH
2. TAP ANCHOR INTO HOLE, EMBED TO MAX DEPTH
3. SECURE ANCHOR WITH 4-6 FULL TURNS OF NUT



920 LEVICK ST
PHILADELPHIA, PA 19111
WWW.GFM.BIZ