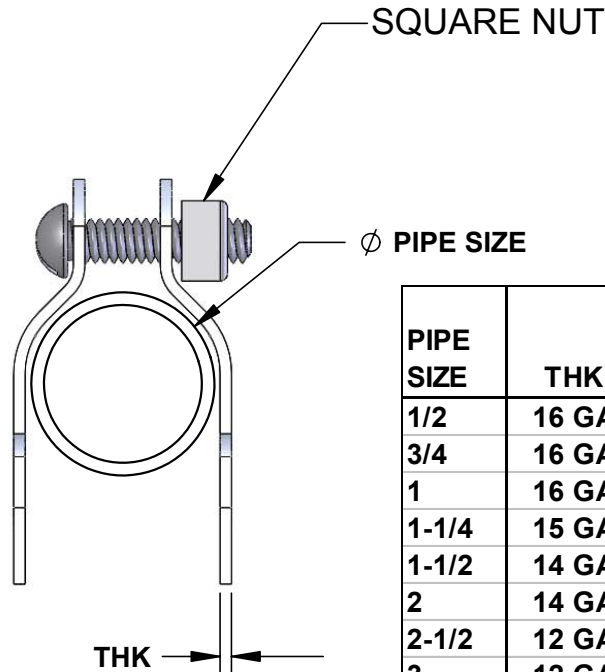
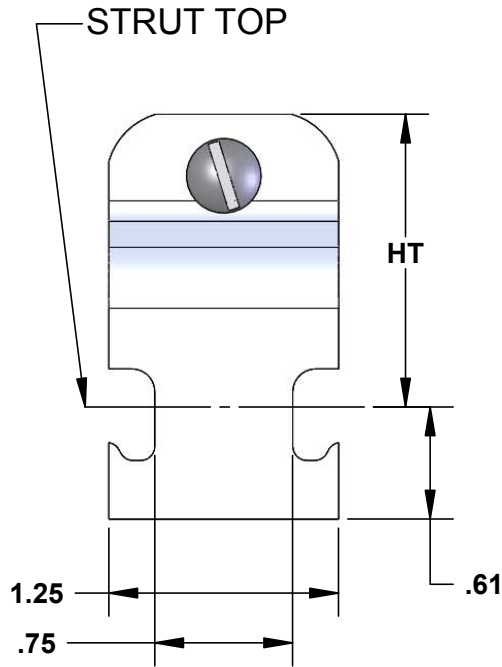
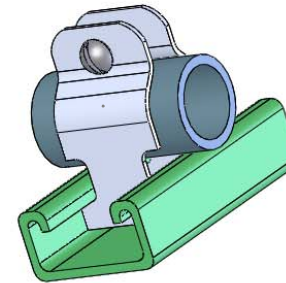


THE INFORMATION CONTAINED IN THIS DRAWING IS THE SOLE PROPERTY OF GREENFIELD MFG CO ANY REPRODUCTION IN PART OR WHOLE WITHOUT THE WRITTEN PERMISSION OF GREENFIELD MFG CO IS PROHIBITED.



PIPE SIZE	THK	HT	BOLT & NUT
1/2	16 GA	1.4	1/4 X 1`
3/4	16 GA	1.6	1/4 X 1
1	16 GA	1.8	1/4 X 1-1/4
1-1/4	15 GA	2.4	1/4 X 1-1/4
1-1/2	14 GA	2.5	1/4 X 1-1/2
2	14 GA	3.0	1/4 X 1-1/2
2-1/2	12 GA	3.7	5/16 x 1-1/4
3	12 GA	4.4	5/16 x 1-1/4
3-1/2	11 GA	4.9	5/16 x 1-1/4
4	11 GA	5.4	5/16 x 1-1/4

FIG311.SLDDRW

MATERIAL GALV. STEEL		Greenfield Mfg Co 920 Levick St , Philadelphia ,Pa. 19111-5498	
FINISH	TOLERANCES XXX XX FR	Dr. EG Chk. SB Appr. sb Date	STRUT CLAMP FOR PIPE
		1/11	FSCM 98320
		FIG. 311	