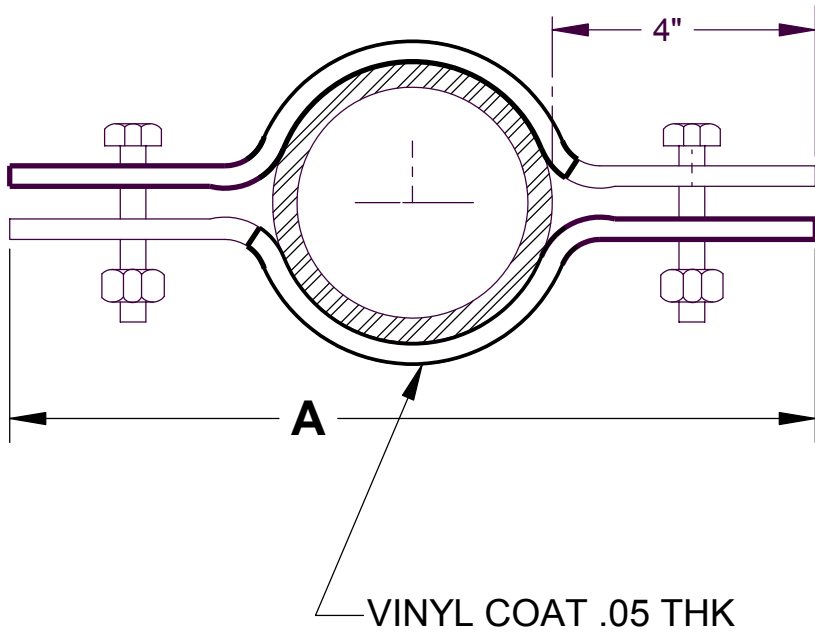


THE INFORMATION CONTAINED IN THIS DRAWING IS THE SOLE PROPERTY OF GREENFIELD MFG CO ANY REPRODUCTION IN PART OR WHOLE WITHOUT THE WRITTEN PERMISSION OF GREENFIELD MFG CO IS PROHIBITED.



SIZE	A	STOCK	BOLT	MAX REC LOAD
1/2 *	9.00	11 Ga X 1.00	1/4 X 1.25	225
3/4 *	9.40	11 Ga X 1.00	1/4 X 1.25	225
1 *	9.50	11 Ga X 1.00	1/4 X 1.25	250
1-1/4 *	10.00	11 Ga X 1.00	1/4 X 1.25	250
1-1/2	10.50	11 Ga X 1.00	5/16 X 1.25	250
2	11.00	10 Ga X 1.00	5/16 X 1.25	250
3	11.50	9 Ga X 1.00	3/8 X 1.50	300
4	13.00	8 Ga X 1.00	7/16 X 1.50	400
5	14.00	1/4 X 1.25	1/2 X 2.00	750
6	15.00	1/4 X 1.50	1/2 X 2.00	750
8	18.50	3/8 X 1.50	5/8 X 2.50	1000
* SPECIAL ORDER				

Made in USA

UNLESS OTHERWISE SPECIFIED
DIMENSIONS ARE IN INCHES
TOLERANCES ARE:
FRACTIONS DECIMALS ANGLES
+/- 1/8 .XX +/- .03 .XX + 1
 .XXX +/- .01

MATERIAL
CQ STEEL

DO NOT SCALE DRAWING

CAD GENERATED DRAWING,
DO NOT MANUALLY UPDATE

APPROVALS	DATE
DRAWN EG	
CHECKED SB	

1/09

GREENFIELD MFG CO

920 LEVICK ST , PHILA.,PA. 19111

P/N **PLASTIC RISER CLAMP**

A **FIG 107**

REV.

SCALE CAD FILE: 107.SLDDRW

SHEET OF