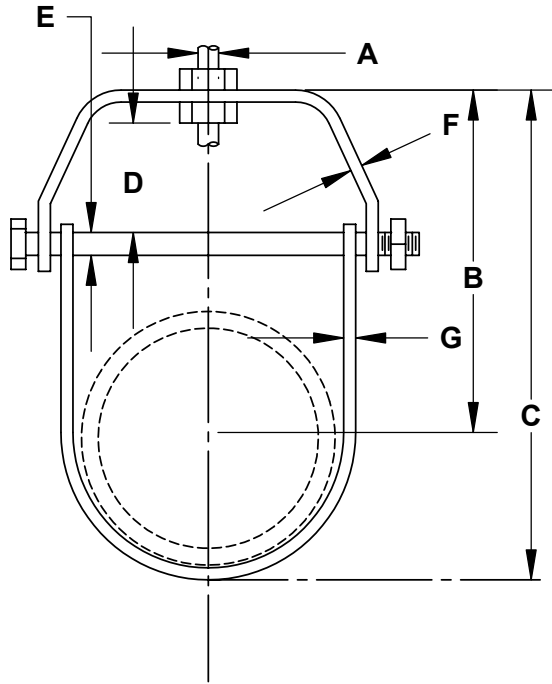


THE INFORMATION CONTAINED IN THIS DRAWING IS THE SOLE PROPERTY OF GREENFIELD MFG CO ANY REPRODUCTION IN PART OR WHOLE WITHOUT THE WRITTEN PERMISSION OF GREENFIELD MFG CO IS PROHIBITED.



Size	A	B	C	D	E	F-Top	G-Bottom	MAX REC LOAD (LBS)
1/2"	3/8"	1.5	2.0	0.62	1/4"	16ga x .75	18ga x .75	150
3/4"	3/8"	1.8	2.3	0.62	1/4"	16ga x .75	18ga x .75	200
1"	3/8"	2.2	2.8	0.88	1/4"	16ga x 1.0	18ga x 1.0	200
1.25"	3/8"	2.5	3.7	1.20	1/4"	16ga x 1.0	16ga x 1.0	200
1.5"	3/8"	2.8	4.0	1.20	1/4"	16ga x 1.0	16ga x 1.0	200
2"	3/8"	2.8	4.5	1.20	1/4"	14ga x 1.0	16ga x 1.0	250
2.5"	3/8"	3.8	6.0	2.00	1/4"	12ga x 1.0	14ga x 1.0	300
3"	3/8"	4.0	6.5	2.00	1/4"	12ga x 1.0	14ga x 1.0	300
4"	3/8"	4.7	7.0	2.00	5/16"	11ga x 1.25	14ga x 1.25	350

COMPLIES WITH MSS SP-58 TYPE 1  
WW-H-171-E TYPE 12

**Made in USA**

UNLESS OTHERWISE SPECIFIED DIMENSIONS ARE IN INCHES TOLERANCES ARE: FRACTIONS DECIMALS ANGLES + .XX+ .XX + 1 .XXX+.XXX	CAD GENERATED DRAWING, DO NOT MANUALLY UPDATE		<b>GREENFIELD MFG CO</b>	
	APPROVALS	DATE	920 LEVICK ST , PHILA.,PA. 19111	
	DRAWN EG	3-25-08	<b>CLEVIS ~ LIGHT</b>	
	CHECKED SB	3-25-08		
MATERIAL <b>STEEL</b>		A	<b>FIG. 104</b>	REV. <b>C</b>
FINISH <b>NONE</b>		CAD FILE: <b>104 REV C</b>		SHEET OF
DO NOT SCALE DRAWING				