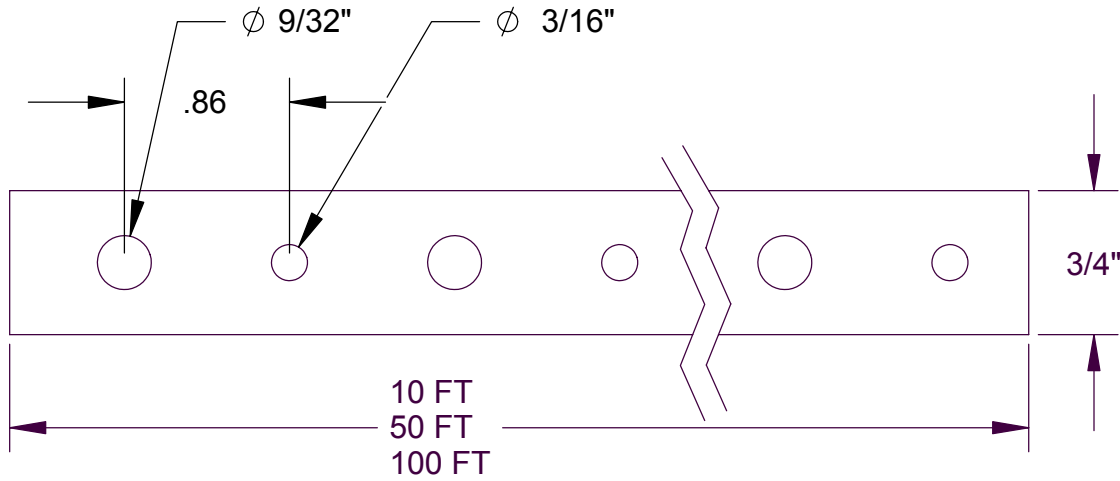


THE INFORMATION CONTAINED IN THIS DRAWING IS THE SOLE PROPERTY OF GREENFIELD MFG CO ANY REPRODUCTION IN PART OR WHOLE WITHOUT THE WRITTEN PERMISSION OF GREENFIELD MFG CO IS PROHIBITED.



GAGE	MINIMUM THICKNESS	WIDTH	MAX STATIC WORKING LOAD-LBS
28	.013	.75	40
24	.021	.75	70
22	.028	.75	90
20	.033	.75	110

Made in USA

UNLESS OTHERWISE SPECIFIED DIMENSIONS ARE IN INCHES

TOLERANCES ARE:

FRACTIONS DECIMALS ANGLES
 +/- 1/8 .XX +/- .03 .XX + 1
 .XXX +/- .01

MATERIAL

**STEEL
 GALVANIZED OR EQUAL**

DO NOT SCALE DRAWING

CAD GENERATED DRAWING,
 DO NOT MANUALLY UPDATE

APPROVALS DATE

DRAWN EG 3/10

CHECKED SB

GREENFIELD MFG CO

920 LEVICK ST , PHILA.,PA. 19111

**GALVANIZED
 DUCT TAPE**

A FIG 101

REV.

SCALE CAD FILE: FIG 101 DUCT TAPE

SHEET OF